

Make Your Farm a Safer Place to Work & Grow.

Don't Get **Wrapped Up** In Your Work...



- Heed all safety warnings in the owner's manual and on safety signs.
- Slippery conditions increase your risk of injury.
- Stay at least your height away from a rotating driveline.
- Never operate equipment without proper guarding.
- You have an obligation to keep children away. There is NO reason for any child to be near operating equipment.

- If the elderly are assisting with farm work, their physical limitations need to be recognized and accommodated.
- Keep long hair tucked securely under a hat.
- Never step across a driveline.
- Don't use the tractor drawbar or the implement tongue as a step.
- Never use the driveline as a step.
- Stop when fatigue is a safety issue.



ADMA

Agricultural Driveline Manufacturers Association

MEMBER COMPANIES:

- Bondioli & Pavesi, Inc.
- GKN Walterscheid, Inc.
- Comer Industries
- Neapco Inc.
- G&G Manufacturing Co.
- Weasler Engineering, Inc.

www.admausa.com

It could kill you.

ADMA

Agricultural Driveline Manufacturers Association

Causes and Preventions of PTO Guard Damage and Accidents

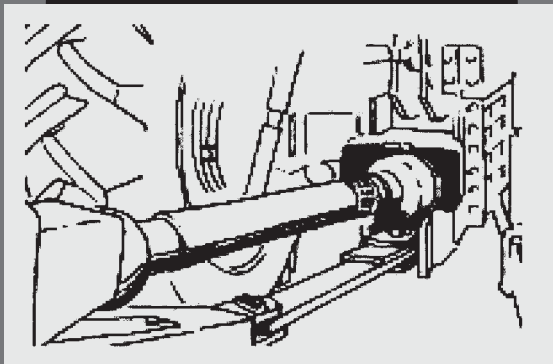
In the majority of PTO driveline accidents, the tractor master shield, PTO driveline guarding, or the implement connection shield was damaged or missing.

It only takes a moment for a shoelace, a pant cuff, or even a strand of hair to become entangled in a driveline.

Intentional Guard Removal and Modifications

- Removal of PTO master shield from the tractor or the shield at the implement end of the PTO driveline.
- The enlargement of access holes for lubrication of moving parts or clutch adjustment.
- PTO guard is removed from its support bearing and then not resecured.

- 🔧 **Prevention**
These types of accidents are the easiest to prevent. Never do anything that increases exposure to rotating driveline components. Do not take life for granted.



Maintenance Lack Of Maintenance Causes Guard Damage

- Failure to perform recommended PTO driveline guard maintenance.
- Failure to regularly inspect PTO driveline guards that do not turn freely on their support bearings. Repair as needed.
- Failure to regularly inspect for PTO driveline guard damage, that increases operator exposure to rotating members, and prevents easy telescoping of guard tubes. Repair as needed.
- Failure to inspect and replace safety warning decals that are no longer clear or legible.

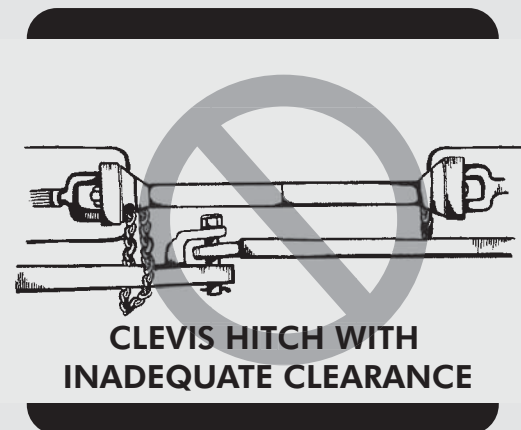
- 🔧 **Prevention**
Check the owner's manual for maintenance recommendations and repair instructions. As the equipment grows older be certain to perform suggested maintenance based on years or hours of usage. Whenever possible store implements in buildings where they are protected from damaging environmental conditions. Use genuine OEM replacement parts.



Accidental Field Usage Damage

- Incorrect drawbar/clevis hitch positioning and oversized hitch pins.
- Incorrect attachment of PTO driveline guard restraint chains.
- Lack of attention to PTO driveline movements in operation and transportation.

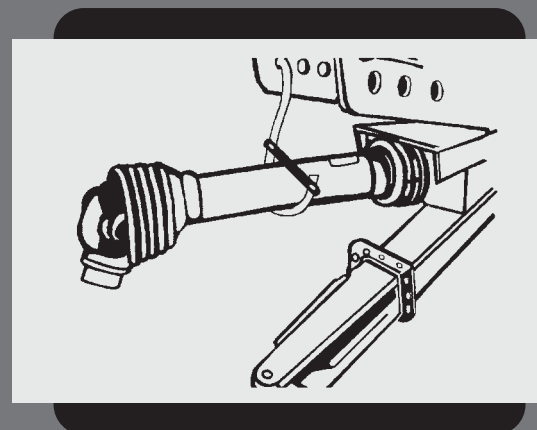
- 🔧 **Prevention**
Consult the owner's manual for proper hookups. During extreme field operation conditions or transportation, the PTO drivelines move up, down, left and right in the space between the tractor and the implement. To avoid guard damage from accidents with the 3-point linkage, jack stands, hitches, etc. visually check the clearances.



Environmental Exposure Over Time Will Cause Guard Damage

- Operation in harsh field conditions of temperature extremes, prolonged direct sunlight, high humidity and both natural and applied corrosive field chemicals.
- Unfavorable storage conditions where PTO shafts are in contact with the ground and equipment is parked for extended periods with exposure to environmental conditions.

- 🔧 **Prevention**
Review the owner's manual for any special recommendations in regard to harsh field conditions. Take appropriate actions to prevent steel guard rusting and UV deterioration of plastic guards. Whenever possible store implements in buildings where they are protected from damaging environmental conditions.



Protect yourself and others with properly guarded equipment.