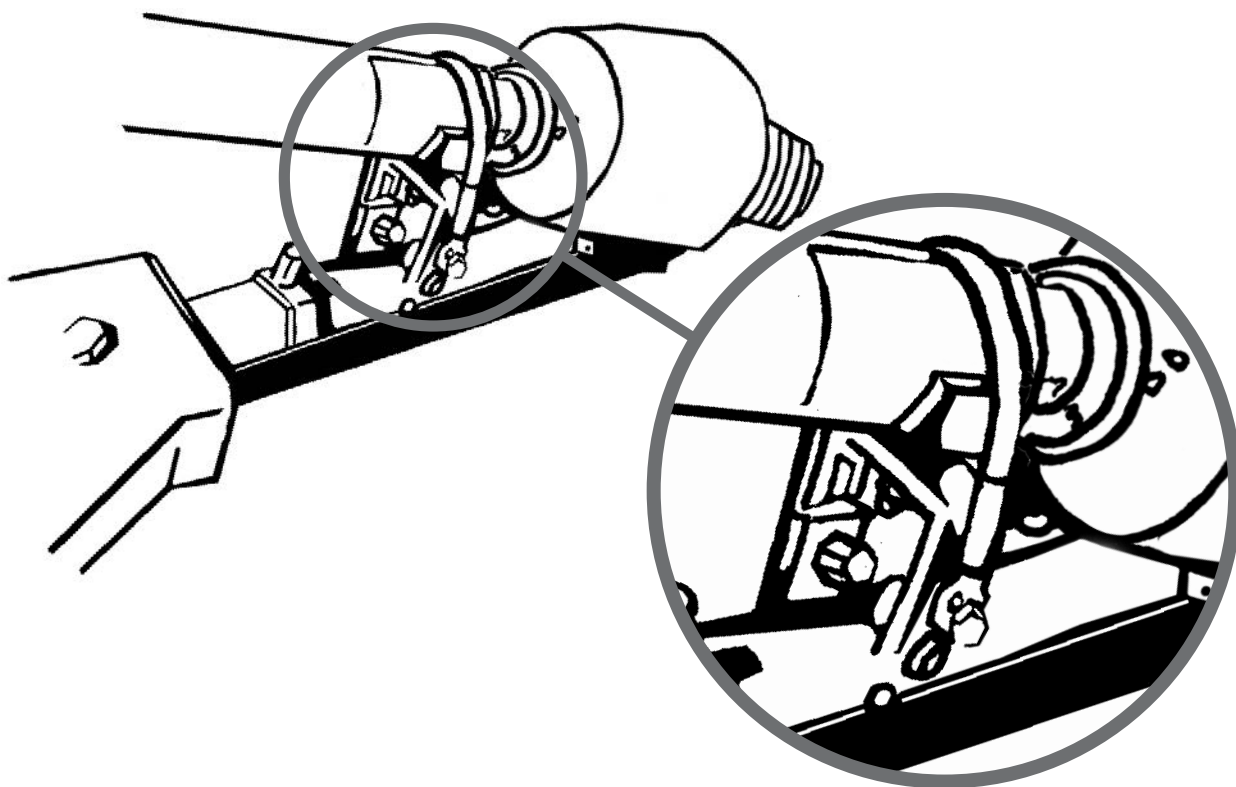


Implement Input Driveline (IID) Storage Support Systems

ADMA

Agricultural Driveline Manufacturers Association



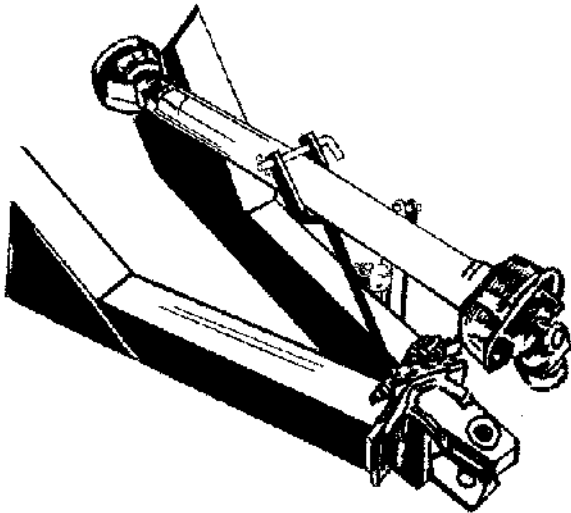
YOUR "SUPPORT" MAKES A DIFFERENCE IN FARM SAFETY

Agriculture is recognized as one of the more hazardous occupations. Today's farmer spends long hours in close proximity to increasingly complex and powerful machinery. In order to avoid accidents, everyone must keep safety in mind.

ADMA's mission is to promote agricultural driveline safety in regard to design specifications, their usage on farms and both maintenance and repair of these shafts. This pamphlet provides information about the various types of driveline support devices as specified by ASAE S-207, (see back page) which are increasingly being designed into the latest models of farm implements. Studies have shown that both the driveline guarding and tractor yoke attachment means are subject to less damage and functional problems when these storage devices are provided.

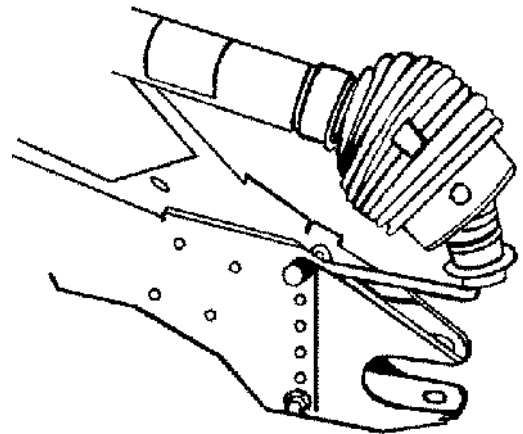
SUPPORTING THE STANDARDS

The sketches that follow depict several different design approaches to provide storage devices for implement drivelines when they are not connected to the tractor. It is recommended that all designs include a means to positively retain the driveline in the storage device to prevent it from bouncing out during transportation.

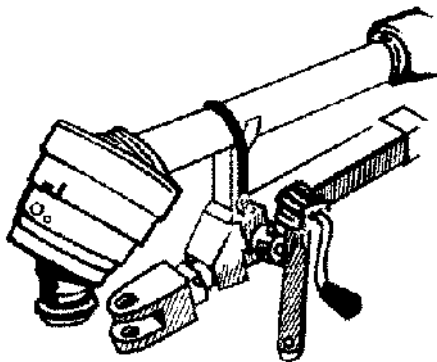


A "U" shaped flat metal strap on a rod that pivots up from inside the "A" frame hitch provides storage support without the risk of damage to the guarding during operation of the driveline.

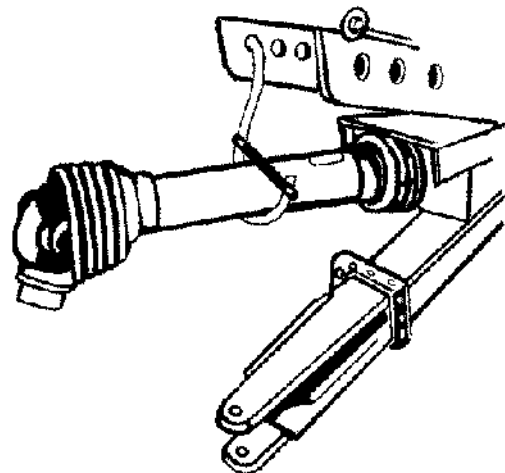
A bent rod with retention device, pivots up from between the "A" frame to support the driveline.

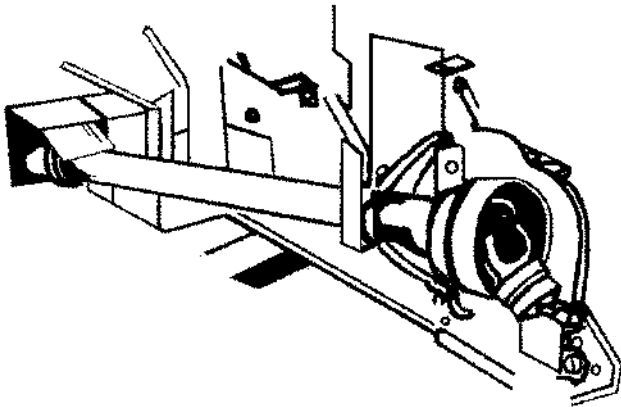


A sheet metal support that pivots up off of its storage location on top of the tongue.



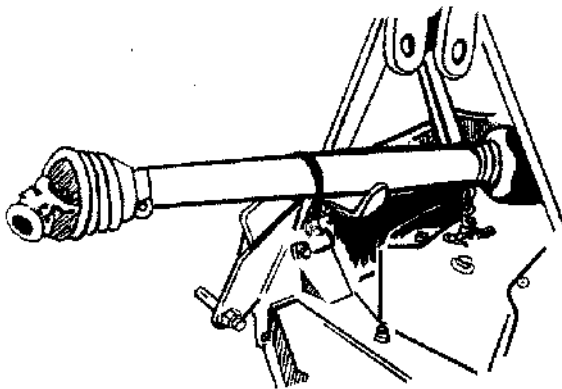
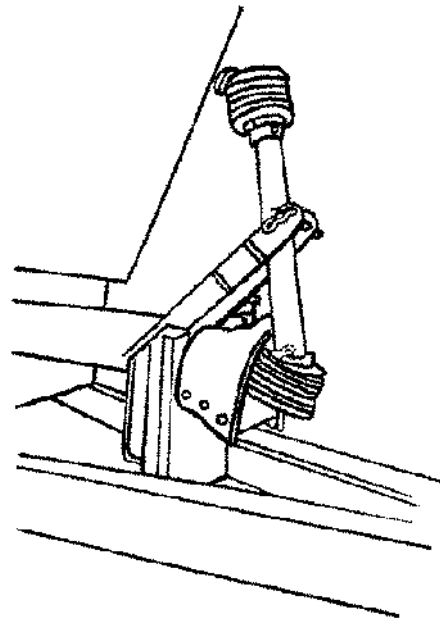
A bent metal rod that swings down from a support above the rear mounting point for the driveline.





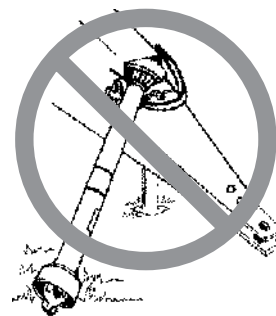
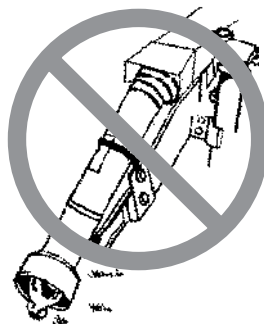
The driveline has been pivoted to the side where it is cradled in a retaining device.

The driveline has been pivoted into the upright position where it is cradled in a retaining device.



The driveline is moved to the "A" frame of 3-point hitch mounted implements where a flat metal cradle has been provided.

Driveline Don'ts:



Improperly designed or improperly located driveline support devices can result in damage to the guarding. Sharp edges or straps that tightly compress and permanently deform plastic guarding must be avoided. Chains, that are provided to restrain "non-rotational" types of driveline guards, are not to be used as driveline support devices.

YOUR “SUPPORT” MAKES A DIFFERENCE IN FARM SAFETY

APPLICABLE STANDARD

ASAE Standards S-207 — Operating Requirements for Tractors and Power Take-Off Driven Implements

Section 9 – Storage of implement input driveline, IID

9.1 A means shall be provided on the implement to secure the IID when the IID is detached from the power source to reduce the likelihood of inadvertent damage to the IID during handling, transport or storage.

For additional information about this standard or to obtain copies, please contact ASAE-2950 Niles Road, St. Joseph, MI. 49085-9659



Agricultural Driveline Manufacturers Association

MEMBER COMPANIES:

- Bondioli & Pavesi, Inc.
- Comer Industries
- G&G Manufacturing Co.
- GKN Walterscheid, Inc.
- Neapco Inc.
- Weasler Engineering, Inc.